

GFMHR Series

High-rate Valve-regulated Lead Acid Battery

GFMHR-1000W



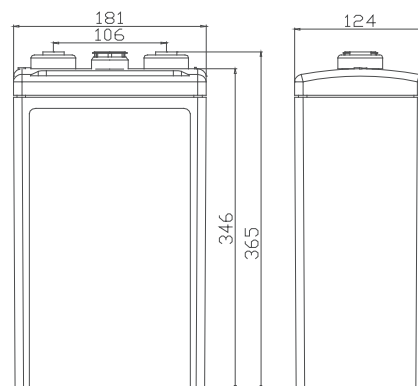
Main Applications

- ▶ IDC and UPS
- ▶ High power & large current application scenarios
- ▶ Backup power for high precision device
- ▶ Emergency lighting, navigation lights

Benefits

- ▶ Specifically designed for high power & large current application scenarios with superior high rate, short term power
- ▶ Designed life of 12 years
- ▶ Low annual operating cost
- ▶ High security, reliability and stability

Dimensions



Technical Parameters

Nominal Voltage	2 V
Capacity	330 Ah @ 10hr to 1.80 V per cell @ 25°C (77°F)
Weight	18.5 kg (39.3 lbs)
Dimensions	Length: 124 mm (4.88 in) Width: 181 mm (7.13 in) Height: 346 mm (13.62 in) Total height: 365 mm (14.37 in)
Internal Resistance (full charged)	0.40 mΩ
Short-circuit Current	6800 A
Self Discharge @25°C(77°F)	Less than 8% after 90 days storage
Operating Temperature Range	Discharge: -40°C ~ 50°C(-40°F ~ 122°F) Charge: -20°C ~ 45°C(-4°F ~ 113°F) Storage: -20°C ~ 40°C(-4°F ~ 104°F)
Recommended Operating Temperature	15°C ~ 25°C (59°F ~ 77°F)
Recommended Charging Current	50 A
Charging Voltage @25°C(77°F)	Float: 2.25 V/cell Equalize: 2.35 V/cell
Terminal	M8
Container Materials	ABS/ABS V0 (Optional)
Capacity Affected by Temperature (C ₁₀)	105% @ 40°C (104°F) 85% @ 0°C (32°F) 60% @ -20°C (-4°F)
Design life @25°C (77°F)	12 years

Certification

- ISO9001
- ISO14001
- GB/T 28001

Technical Features

- ▶ Lower internal resistance and voltage drop, suited for high rate discharge applications and high efficient UPS
- ▶ Lower self-discharge rate, better charge acceptability and higher sealing reaction efficiency
- ▶ Exquisite craftsmanship and good coherence of internal resistance, capacity

GFMHR Series

High-rate Valve-regulated Lead Acid Battery

GFMHR-1000W



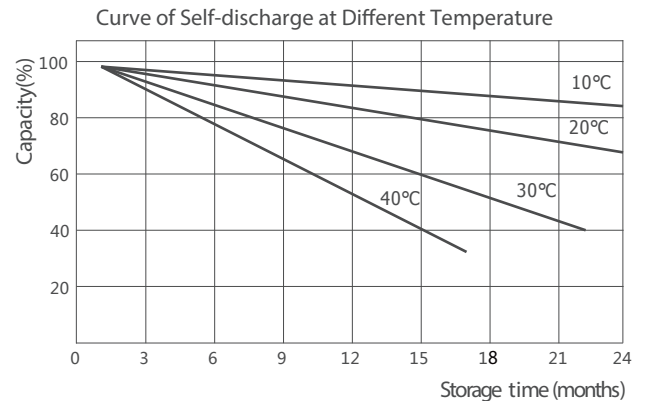
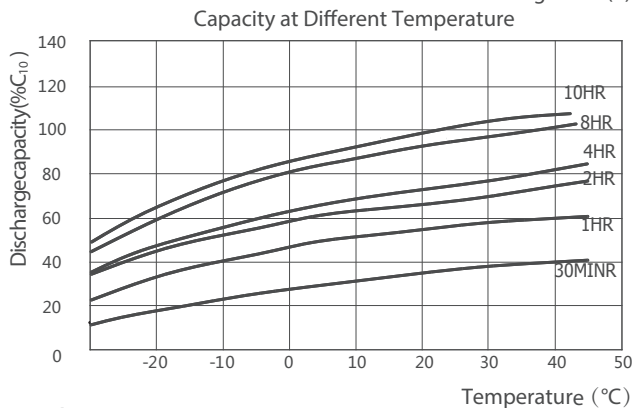
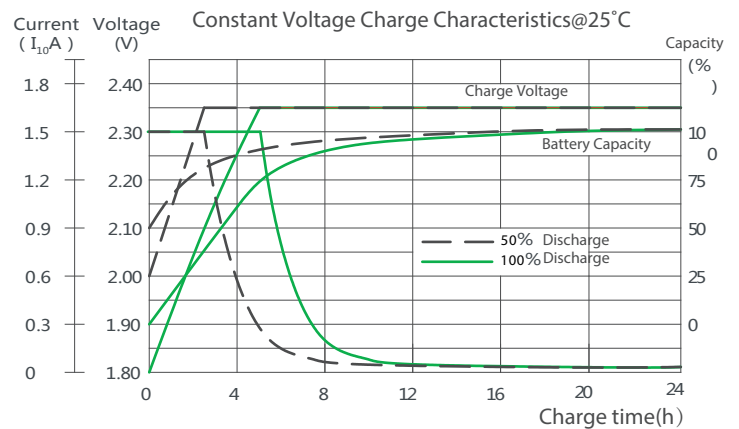
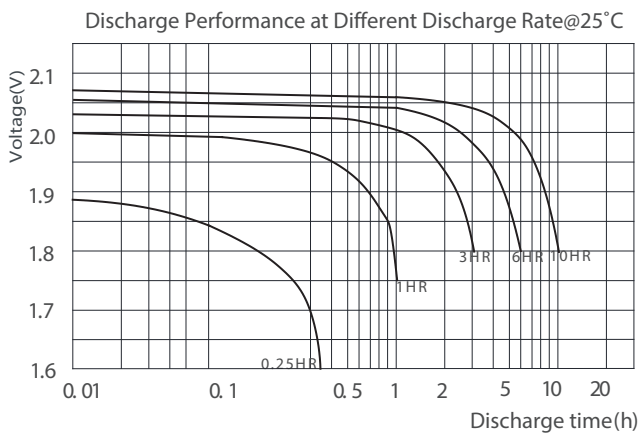
Constant Current Discharge Characteristics Unit: A (25°C, 77°F)

F.V/Time	5min	10min	15min	20min	30min	1h	2h	3h	4h	5h	6h	8h	10h
1.60V	867	718	607	488	371	216	--	--	--	--	--	--	--
1.67V	826	670	567	471	360	213	124	89.9	74.5	61.8	--	--	--
1.70V	792	636	533	448	350	208	122	88.6	73.0	61.2	52.2	42.0	--
1.75V	669	580	487	411	339	199	119	86.9	72.3	60.9	51.4	41.7	34.1
1.80V	603	489	431	360	298	178	115	85.2	71.1	60.6	50.9	41.2	33.3
1.85V	488	402	359	294	248	140	109	79.5	65.6	57.4	49.0	39.6	32.6

Constant Power Discharge Characteristics Unit: W/cell (25°C, 77°F)

F.V/Time	5min	10min	15min	20min	30min	1h	2h	3h	4h	5h	6h	8h	10h
1.60V	1443	1266	1043	865	658	405	--	--	--	--	--	--	--
1.67V	1384	1220	1000	838	644	394	232	171.1	142.7	120.5	--	--	--
1.70V	1287	1172	962	796	639	388	229	169.5	140.6	120.0	102.7	82.2	--
1.75V	1114	1082	902	767	630	375	225	166.1	139.2	119.3	101.2	81.6	67.2
1.80V	1043	908	811	671	561	338	219	163.8	137.5	118.9	100.6	81.1	65.6
1.85V	886	786	689	562	477	274	216	158.9	132.5	117.5	100.4	80.4	63.1

Performance Curve



*Declaration:

This information is generally descriptive only and is not intended to make or imply any representation, guarantee or warranty with respect to any cells and batteries. Cell and battery designs/specifications are subject to modification without notice. Contact CHINASHOTO for the latest information.

Welcome to Visit : www.chinashoto.com