

GC-12 Series

Lead-Carbon Gel Battery

GC-12-65



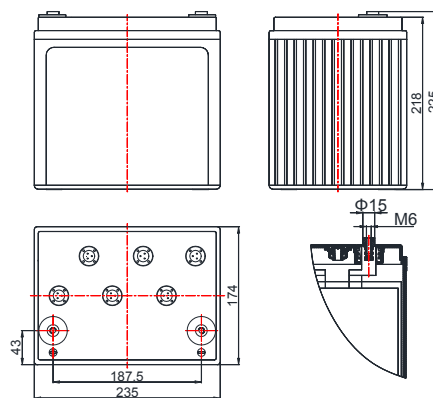
Main Applications

- Renewable energy (wind & solar) storage system
- UPS & emergency lighting system
- Military field, railway system, power system
- Fire alarm and security system
- Off-grid & bad-grid sites

Benefits

- Design life is more than 12 years
- Superior deep cycling performance
- Lifetime maintenance free, Low annual operating cost, reduced TCO
- High security, reliability and stability

Dimensions



Technical Parameters

Nominal Voltage	12 V
Capacity	65 Ah @ 10hr to 1.80V per cell @ 25°C (77°F)
Weight	21 kg (46.3 lbs)
Dimensions	Length: 235 mm Width: 174 mm Height: 218 mm Total height: 225 mm
Internal Resistance (full charged)	Approx. 6.1 mΩ @ 25°C(77°F)
Short- circuit Current	403 A(5sec)
Self Discharge @25°C(77°F)	Less than 4% after 30 days storage
Operating Temperature Range	Discharge: -40°C~50°C(-40°F~122°F) Charge: -20°C~45°C(-4°F~113°F) Storage:-20°C~40°C(-4°F~104°F)
Recommended Operating Temperature	15°C~25°C (59°F~77°F)
Maximum Charging Current	19.5 A
Charging Voltage @25°C(77°F)	Float: 2.25 V/cell, Temps coefficient -3 mV/°C Equalize: 2.35 V/cell
Terminal	M6
Container Materials	ABS/ABS V0 (Optional)
Capacity Affected by Temperature(C ₁₀)	105% @ 40°C(104°F) 85% @ 0°C(32°F) 60% @ -20°C(-4°F)
Design Life @25°C(77°F)	12 years

Attain Certificate

- ISO9001
- ISO14001
- ISO18001

Technical Features

- Adopt lead- carbon gel technology
- Special gel electrolyte without flowing to avoid acid stratification and can prolong service life
- Excellent charging and discharging ability in low current
- High-purity electrolyte and special additives, low self-discharge

GC-12 Series

Lead-Carbon Gel Battery

GC-12-65



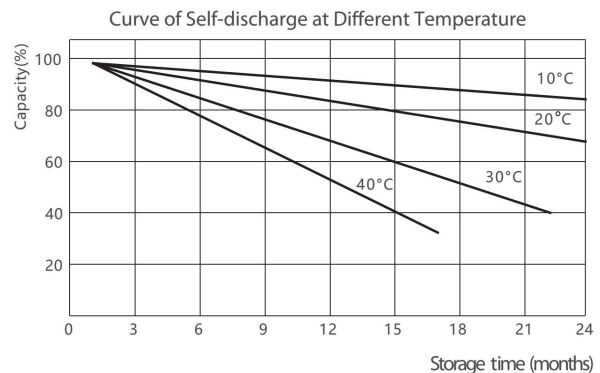
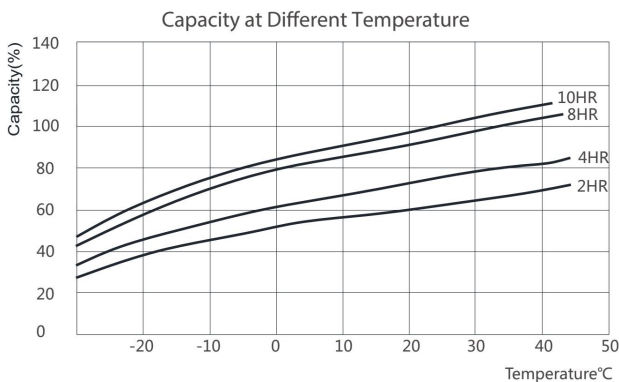
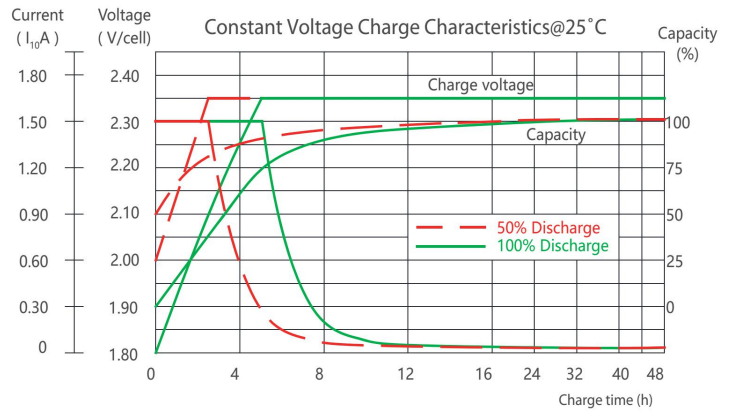
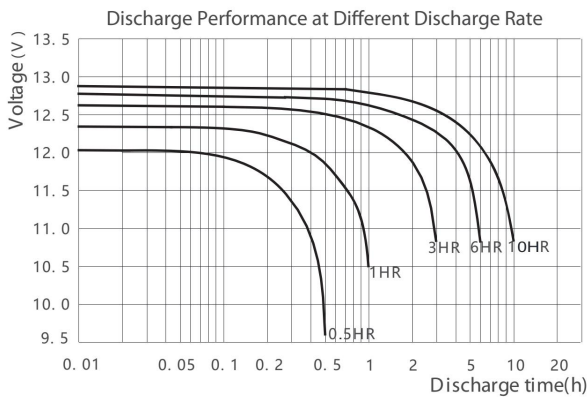
Constant Current Discharge Characteristics Unit: A (25°C, 77°F)

F.V/Time	5min	10min	15min	20min	30min	45min	1hr	2hr	3hr	4hr	5hr	6hr	8hr	10hr	20hr
1.85V/cell	115	94.4	84.0	71.9	53.9	40.2	34.9	20.9	15.6	12.5	10.5	9.28	7.51	6.38	3.35
1.80V/cell	137	106	91.4	77.2	57.2	41.9	35.9	21.7	16.3	12.9	10.8	9.51	7.68	6.51	3.42
1.75V/cell	148	112	95.8	81.0	60.0	43.7	37.2	22.4	16.5	13.2	11.0	9.70	7.81	6.60	3.46
1.70V/cell	159	118	100	84.5	62.5	45.2	38.4	23.0	16.9	13.5	11.2	9.85	7.92	6.68	3.50
1.67V/cell	165	121	102	86.7	64.7	46.6	39.3	23.5	17.2	13.7	11.4	10.0	8.02	6.74	3.54
1.60V/cell	176	127	106	90.0	67.0	47.9	40.2	23.9	17.5	13.9	11.5	10.1	8.09	6.79	3.56

Constant Power Discharge Characteristics Unit: W/cell (25°C, 77°F)

F.V/Time	5min	10min	15min	20min	30min	45min	1hr	2hr	3hr	4hr	5hr	6hr	8hr	10hr	20hr
1.85V/cell	217	178	159	137	103	77.3	67.5	41.2	30.9	24.9	21.0	18.5	15.0	12.8	6.74
1.80V/cell	251	196	171	146	109	80.3	69.1	42.7	31.9	25.5	21.4	18.9	15.3	13.0	6.85
1.75V/cell	269	207	179	152	114	83.4	71.4	43.9	32.5	26.0	21.8	19.2	15.5	13.1	6.92
1.70V/cell	283	216	187	158	118	86.1	73.4	44.8	33.1	26.5	22.1	19.5	15.7	13.2	6.97
1.67V/cell	291	219	189	161	122	88.3	75.0	45.6	33.6	26.8	22.4	19.7	15.8	13.3	7.03
1.60V/cell	305	228	195	166	125	90.2	76.2	46.2	34.0	27.1	22.6	19.8	15.9	13.4	7.05

Performance Curve



*Declaration:

This information is generally descriptive only and is not intended to make or imply any representation, guarantee or warranty with respect to any cells and batteries. Cell and battery designs/specifications are subject to modification without notice. Contact CHINASHOTO for the latest information.

Welcome to Visit : www.chinashoto.com