

# 6-GFMJ Series

Gel Valve Regulated Sealed Battery

6-GFMJ-100



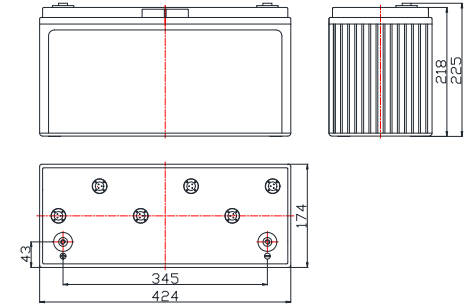
## Main Applications

- ▶ Floating applications for telecom sites
- ▶ UPS & EPS & emergency lighting system
- ▶ Military field, railway system
- ▶ Power system
- ▶ Fire alarm and security system

## Benefits

- ▶ Designed life of 12 years
- ▶ Excellent charging acceptability
- ▶ Lifetime maintenance free, Low annual operating cost, reduced TCO
- ▶ High security, reliability and stability

## Dimensions



## Technical Parameters

Nominal Voltage	12 V
Capacity	100 Ah @ 10hr to 1.80V per cell @ 25°C (77°F)
Weight	35.0 kg (77.1 lbs)
Dimensions	Length: 424 mm Width: 174 mm Height: 218 mm Total height: 225 mm
Internal Resistance (full charged)	Approx. 5.0 mΩ @ 25°C(77°F)
Short-circuit Current	620 A(5sec)
Self Discharge @25°C(77°F)	Less than 4% after 30 days storage
Operating Temperature Range	Discharge: -40°C~50°C(-40°F~122°F) Charge: -20°C~45°C(-4°F~113°F) Storage:-20°C~40°C(-4°F~104°F)
Recommended Operating Temperature	15°C~25°C (59°F~77°F)
Maximum Charging Current	20.0 A
Charging Voltage @25°C(77°F)	Float: 2.25 V/cell, Temps coefficient -3 mV/°C Equalize: 2.35 V/cell
Terminal	M6
Container Materials	ABS/ABS V0 (Optional)
Capacity Affected by Temperature(C <sub>10</sub> )	105% @ 40°C(104°F) 85% @ 0°C(32°F) 60% @ -20°C(-4°F)
Designed Life @25°C(77°F)	12 years

## Attain Certificate

- ISO 9001
- ISO 14001
- GB/T 28001

## Technical Features

- ▶ The separator adopts microporous PVC-SiO<sub>2</sub> separator for colloidal battery, which has large porosity, small impedance
- ▶ Special gel electrolyte without flowing to avoid acid stratification and can prolong service life
- ▶ Excellent charging and discharging ability in low current
- ▶ High-purity electrolyte and special additives, low self-discharge

# 6-GFMJ Series

Gel Valve Regulated Sealed Battery  
6-GFMJ-100



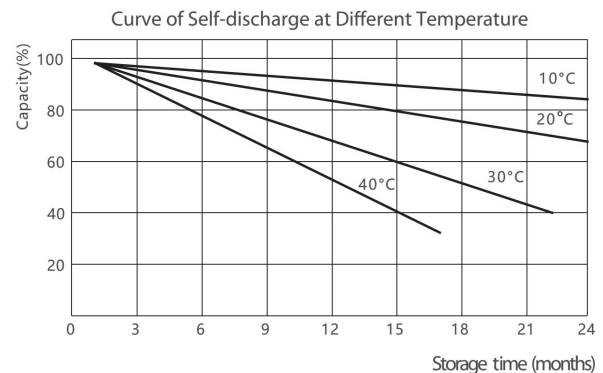
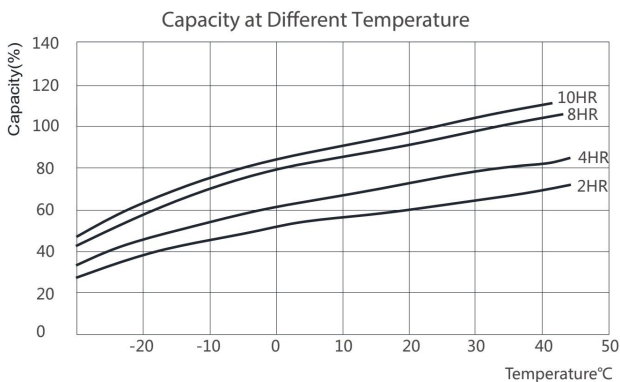
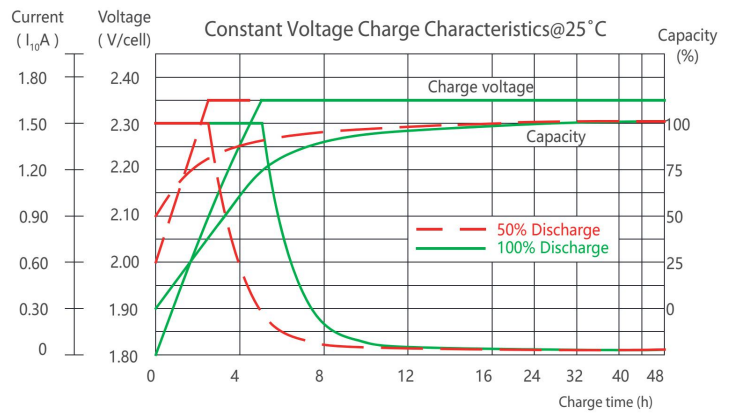
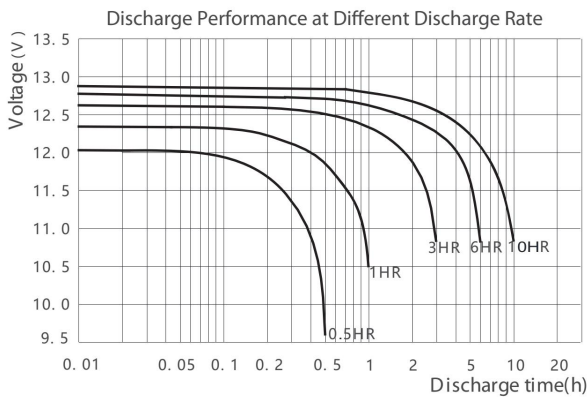
## Constant Current Discharge Characteristics Unit: A (25°C, 77°F)

F.V/Time	30min	1hr	2hr	3hr	4hr	5hr	6hr	8hr	10hr	20hr
1.85V/cell	87.9	54.4	32.7	24.3	19.6	16.4	14.5	11.7	10.0	5.22
1.80V/cell	93.3	55.9	33.9	25.2	20.2	16.8	14.8	12.0	10.2	5.33
1.75V/cell	98.0	57.6	34.9	25.8	20.6	17.2	15.1	12.2	10.3	5.40
1.70V/cell	102	59.8	35.8	26.3	21.0	17.5	15.3	12.3	10.4	5.46
1.67V/cell	106	61.3	36.6	26.8	21.3	17.7	15.5	12.5	10.5	5.51
1.60V/cell	109	62.6	37.2	27.2	21.6	17.9	15.7	12.6	10.6	5.55

## Constant Power Discharge Characteristics Unit: W/cell (25°C, 77°F)

F.V/Time	30min	1hr	2hr	3hr	4hr	5hr	6hr	8hr	10hr	20hr
1.85V/cell	168	105	64.3	48.1	38.8	32.7	28.8	23.4	20.0	10.5
1.80V/cell	177	108	66.5	49.7	39.8	33.5	29.4	23.9	20.3	10.7
1.75V/cell	185	111	68.3	50.6	40.6	34.1	29.9	24.2	20.5	10.8
1.70V/cell	193	115	69.9	51.6	41.2	34.5	30.3	24.5	20.7	10.9
1.67V/cell	199	117	71.2	52.4	41.8	35.0	30.6	24.7	20.8	11.0
1.60V/cell	204	119	72.1	52.9	42.2	35.2	30.9	24.9	20.9	11.1

## Performance Curve



### \*Declaration:

This information is generally descriptive only and is not intended to make or imply any representation, guarantee or warranty with respect to any cells and batteries. Cell and battery designs/specifications are subject to modification without notice. Contact CHINASHOTO for the latest information.

Welcome to Visit : [www.chinashoto.com](http://www.chinashoto.com)