

6-FMX-G Series

VRLA AGM-Gel Battery

6-FMX-150CG



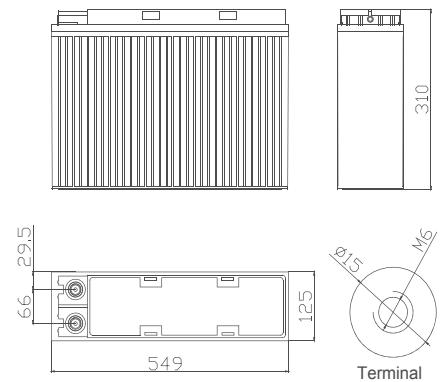
Main Applications

- ▶ Solar & wind energy storage system
- ▶ Off-grid & bad-grid hybrid sites
- ▶ Floating Operation site

Benefits

- ▶ Excellent deep cycling performance
- ▶ Long life design for float application, 12 years
- ▶ Suitable for 19inch/23inch cabinet, reduce the occupied area
- ▶ High performance/price ratio and low annual operating cost

Dimensions



Technical Parameters

Nominal Voltage	12 V
Capacity	150 Ah @ 10hr to 1.80 V per cell @ 25°C (77°F)
Weight	52.0 kg (114.6 lbs)
Dimensions	Length: 549 mm (21.61 in) Width: 125 mm (4.92 in) Height: 310 mm (12.20 in)
Internal Resistance (full charged)	3.5 mΩ
Short-circuit Current	2607 A
Self Discharge @25°C(77°F)	Less than 4% after 28 days storage
Operating Temperature Range	Discharge: -40°C ~ 50°C (-40°F ~ 122°F) Charge: -20°C ~ 45°C (-4°F ~ 113°F) Storage: -20°C ~ 40°C (-4°F ~ 104°F)
Recommended Operating Temperature	15°C ~ 25°C (59°F ~ 77°F)
Recommended Charging Current	30 A
Charging Voltage @25°C(77°F)	Float: 2.25 V/cell Equalize: 2.35 V/cell
Terminal	M6
Container Materials	ABS/ABS V0 (Optional)
Capacity Affected by Temperature(C ₁₀)	105% @ 40°C(104°F) 85% @ 0°C(32°F) 60% @ -20°C(-4°F)
Design Life @25°C(77°F)	12 years

Certification

- ☑ ISO9001: 2008
(NO.03015Q10076R4M)
- ☑ ISO14001: 2004
(NO.03016E10080R2L)
- ☑ GB/T 28001-2011
(NO.03014S10092R2M)

Technical Features

- ▶ Special gel electrolyte without flowing to avoid acid stratification and can prolong service life
- ▶ Front terminal connection makes it more convenient to install and maintain
- ▶ Lower self-discharge rate and better charge acceptability
- ▶ Superb security and reliability, the unique sealing technology can avoid leakage effectively

6-FMX-G Series

VRLA AGM-Gel Battery

6-FMX-150CG



Constant Current Discharge Characteristics Unit: A (25°C, 77°F)

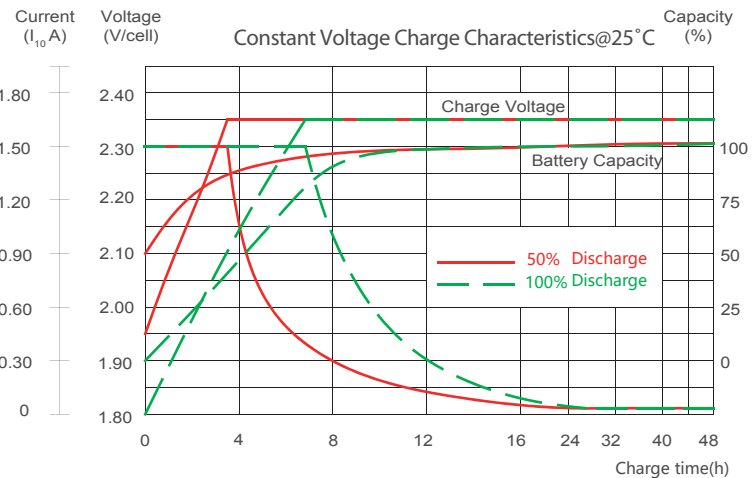
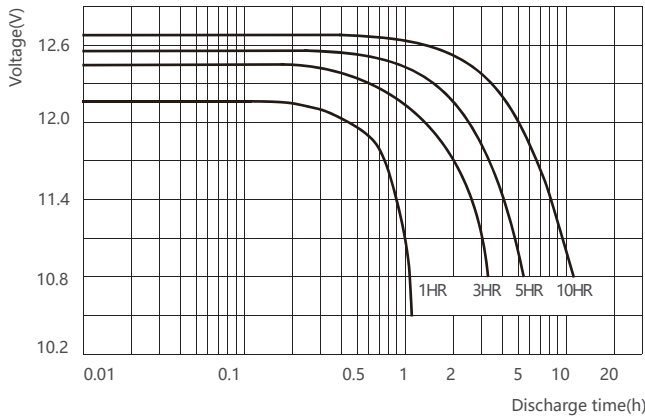
F.V /Time	30min	1hr	2hr	3hr	4hr	5hr	6hr	8hr	10hr	12hr
1.70V	165	92	55.9	39.6	31.6	26.9	23.6	19.1	15.9	13.2
1.75V	157	89	55.2	39.3	31.4	26.8	23.4	19.0	15.8	13.1
1.80V	147	88	54.6	39.0	31.2	26.6	23.2	18.8	15.7	13.0
1.83V	141	83	53.9	38.8	31.0	26.4	23.1	18.7	15.5	12.9
1.85V	136	81	53.4	38.5	30.8	26.3	23.0	18.6	15.3	12.8

Constant Power Discharge Characteristics Unit: W/cell (25°C, 77°F)

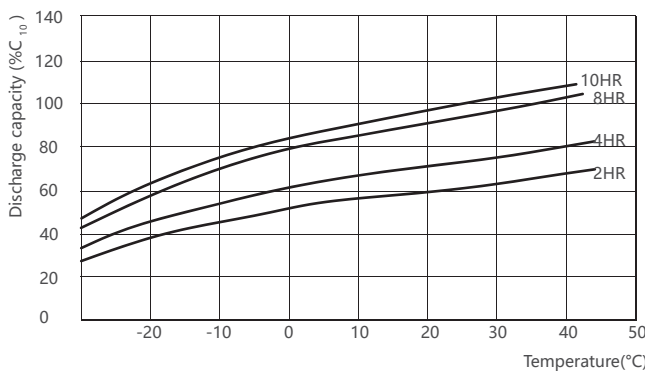
F.V /Time	30min	1hr	2hr	3hr	4hr	5hr	6hr	8hr	10hr	12hr
1.70V	300	171	107.2	77.0	62.0	53.3	46.5	38.1	31.6	26.5
1.75V	286	168	106.4	76.9	61.6	53.1	46.1	37.9	31.4	26.4
1.80V	274	166	105.8	76.8	61.2	53.0	45.7	37.8	31.3	26.3
1.83V	266	161	105.0	76.6	60.7	52.9	45.4	37.7	31.2	26.2
1.85V	260	157	104.3	76.4	60.6	52.8	45.2	37.6	31.1	26.1

Performance Curve

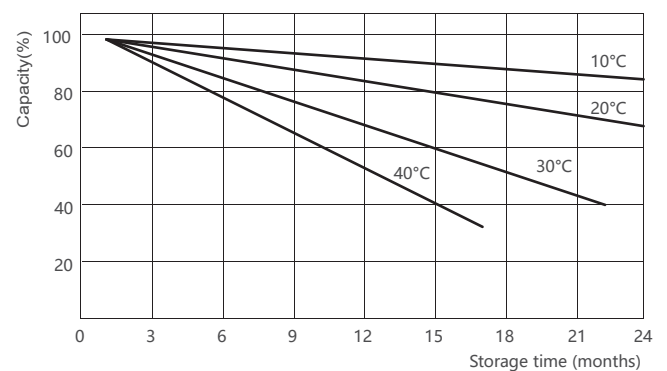
Discharge Performance at Different Discharge Rate



Capacity at Different Temperature



Curve of Self-discharge at Different Temperature



*Declaration:

This information is generally descriptive only and is not intended to make or imply any representation, guarantee or warranty with respect to any cells and batteries. Cell and battery designs/specifications are subject to modification without notice. Contact CHINASHOTO for the latest information.

Welcome to Visit : www.chinashoto.com