

GFMHR Series

High-rate Valve-regulated Lead Acid Battery

GFMHR-600W



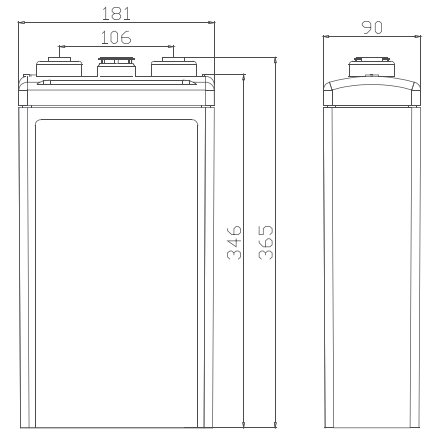
Main Applications

- ▣ IDC and UPS
- ▣ High power & large current application scenarios
- ▣ Backup power for high precision device
- ▣ Emergency lighting, navigation lights

Benefits

- ▣ Specifically designed for high power & large current application scenarios with superior high rate, short term power
- ▣ Designed life of 12 years
- ▣ Low annual operating cost
- ▣ High security, reliability and stability

Dimensions



Technical Parameters

Nominal Voltage	2 V
Capacity	200 Ah @ 10hr to 1.80 V per cell @ 25°C(77°F)
Weight	12.4 kg (27.30 lbs)
Dimensions	Length: 90 mm (3.54 in) Width: 181 mm (7.13 in) Height: 346 mm (13.62 in) Total height: 365 mm (14.37 in)
Internal Resistance (full charged)	0.65 mΩ
Short-circuit Current	3500 A
Self Discharge @25°C(77°F)	Less than 8% after 90 days storage
Operating Temperature Range	Discharge: -40°C ~ 50°C (-40°F ~ 122°F) Charge: -20°C ~ 45°C (-4°F ~ 113°F) Storage: -20°C ~ 40°C (-4°F ~ 104°F)
Recommended Operating Temperature	15°C ~ 25°C (59°F ~ 77°F)
Recommended Charging Current	30 A
Charging Voltage @25°C(77°F)	Float: 2.25 V/cell Equalize: 2.35 V/cell
Terminal	M8
Container Materials	ABS/ABS V0 (Optional)
Capacity Affected by Temperature (C ₁₀)	105% @ 40°C (104°F) 85% @ 0°C (32°F) 60% @ -20°C (-4°F)
Design life @25°C (77°F)	12 years

Certification

- ISO9001
- ISO14001
- GB/T 28001

Technical Features

- ▣ Lower internal resistance and voltage drop, suited for high rate discharge applications and high efficient UPS
- ▣ Lower self-discharge rate, better charge acceptability and higher sealing reaction efficiency
- ▣ Exquisite craftsmanship and good coherence of internal resistance, capacity

GFMHR Series

High-rate Valve-regulated Lead Acid Battery

GFMHR-600W



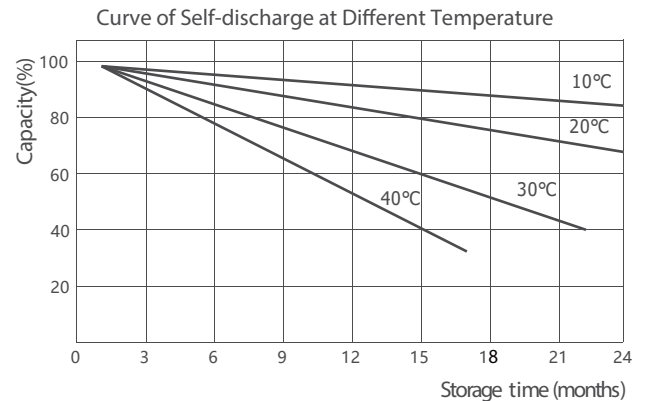
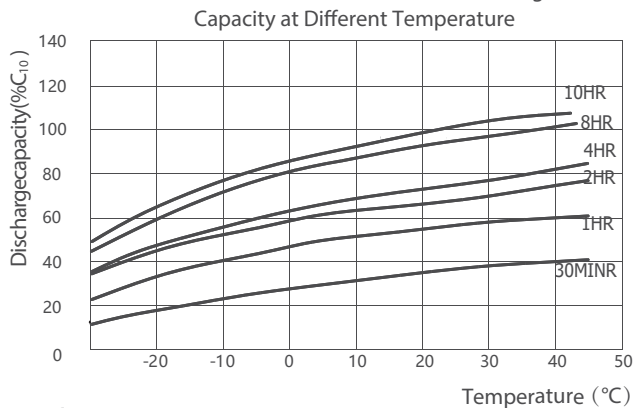
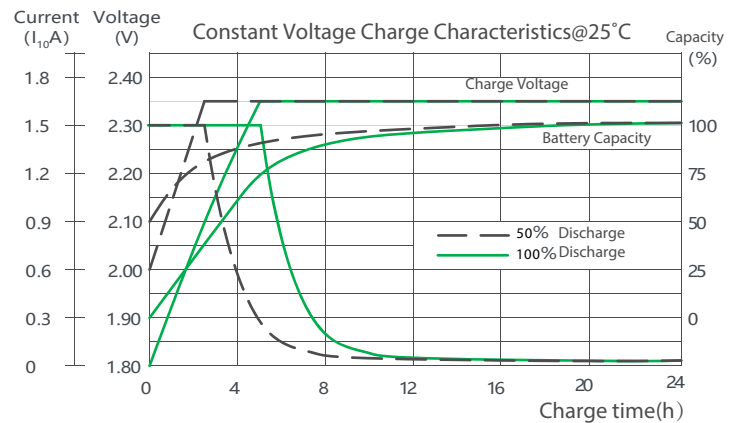
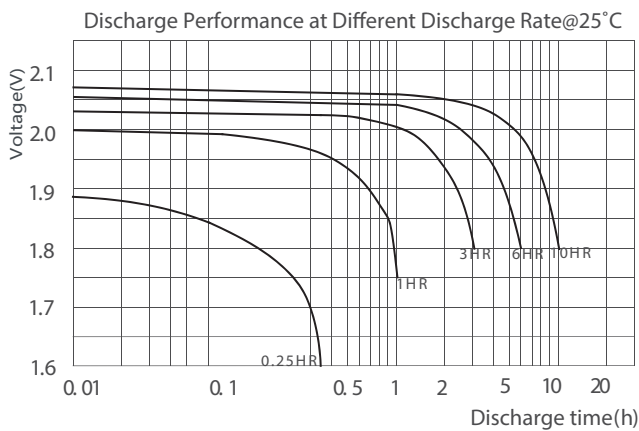
Constant Current Discharge Characteristics Unit: A (25°C, 77°F)

F.V/Time	5min	10min	15min	20min	30min	1h	2h	3h	4h	5h	6h	8h	10h
1.60V	527	441	373	300	231	137	--	--	--	--	--	--	--
1.67V	498	408	345	287	222	134	80.0	55.9	47.3	40.4	--	--	--
1.70V	477	388	325	274	216	130	78.5	55.2	46.3	40.0	34.4	26.0	--
1.75V	403	354	297	251	209	125	76.2	54.1	45.9	39.8	33.9	25.7	20.8
1.80V	364	299	263	220	183	112	73.8	53.0	45.1	39.6	33.5	25.3	20.2
1.85V	295	245	220	180	153	88	70.4	49.5	41.7	37.5	32.3	25.0	19.7

Constant Power Discharge Characteristics Unit: W/cell (25°C, 77°F)

F.V/Time	5min	10min	15min	20min	30min	1h	2h	3h	4h	5h	6h	8h	10h
1.60V	872	765	630	524	402	251	--	--	--	--	--	--	--
1.67V	838	739	600	508	394	246	142	104.7	89.2	78.1	--	--	--
1.70V	777	708	581	481	390	241	140	103.4	87.7	77.6	67.1	51.1	--
1.75V	673	654	545	464	385	234	137	101.4	86.8	77.1	66.1	50.6	40.6
1.80V	630	548	490	406	342	211	134	100.0	85.7	76.9	65.7	49.1	39.5
1.85V	535	475	416	340	291	171	132	97.0	82.6	76.0	65.6	47.7	38.4

Performance Curve



*Declaration:

This information is generally descriptive only and is not intended to make or imply any representation, guarantee or warranty with respect to any cells and batteries. Cell and battery designs/specifications are subject to modification without notice. Contact CHINASHOTO for the latest information.

Welcome to Visit : www.chinashoto.com