

6-SPB Series

Super Power Lead-Carbon Battery

6-SPB-25



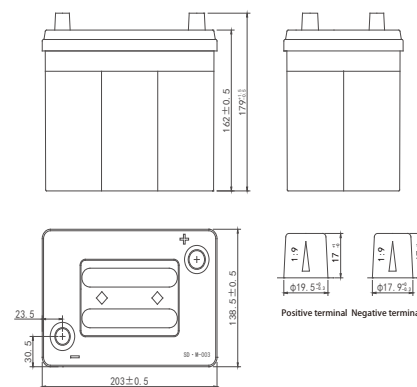
Main Applications

- ▣ Vehicle starting
- ▣ Generator system starting
- ▣ Start-stop system
- ▣ Hybrid electric vehicle starting

Benefits

- ▣ Strong Starting Ability: Cold starting current is up to $16C_{20}$, is two times than the ordinary battery
- ▣ Excellent Anti-vibration Performance: Anti-vibration performance is 15 times than that of ordinary battery, all kinds of complicated road conditions are available
- ▣ Long Cycle Life: The starting life is more than 180000 times, 3 times longer than ordinary battery

Dimensions



Certification

- ISO 9001
- ISO 14001
- ISO 18001
- ISO/TS 16949

Technical Parameters

Nominal Voltage	12 V
Capacity	28 Ah @ 20hr to 1.75 V per cell @ 25°C (77°F)
Weight	9.5 kg(20.94 lbs)
Dimensions	Length:203 mm (8.00 in) Width:138.5 mm (5.45 in) Height: 162 mm (6.38 in) Total height:179 mm (7.05 in)
Internal Resistance (full charged)	4.0 mΩ
CCA	480 A(SAE)
Reserve Capacity@25°C (77°F)	48 min
Temperature	-45°C ~ 75°C (-49°F~167°F)
Separator	AGM
Seal Reaction Efficiency	100%
Storage Period without Charging	6 months
Max Charge Current	4.5C ₂₀
Max Discharge Current	18C ₂₀
Cycle Charge Voltage@25°C (77°F)	14.5 V~15.0 V

Compliant Standards

- GB/T 5008.1
- IEC60095.1
- EN50342

Technical Features

- ▣ The adoption of the cold rolled grid technology and ultra-thin plate, the battery has higher surface area, lower the internal resistance, after starting, the battery is charged very fast and the harm reduced for the long time charge
- ▣ With a new valve-sealed design, there is no acid-leakage, not restricted by space, the battery can be placed in any direction
- ▣ With the unique spiral wound design and cylindrical column structure, the battery has good structural stability, and no bulging
- ▣ Added independently-developed composite carbon material, the sulfation is significantly improved, the psoc cycle life is greatly extended

6-SPB Series

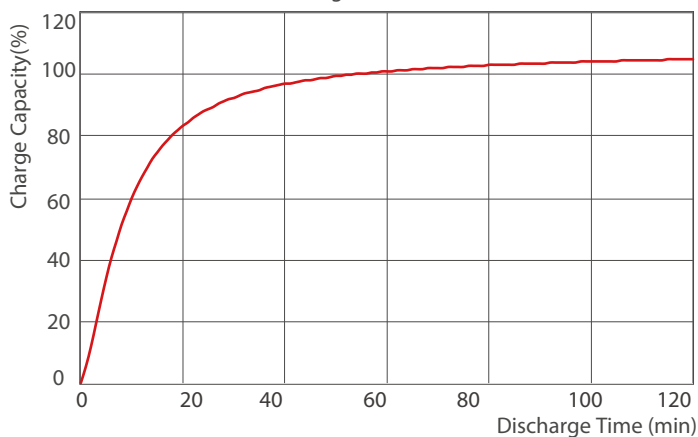
Super Power Lead-Carbon Battery

6-SPB-25

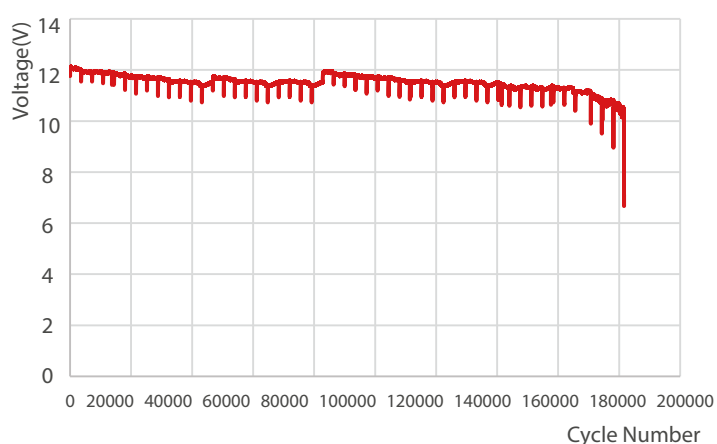


Performance Curves

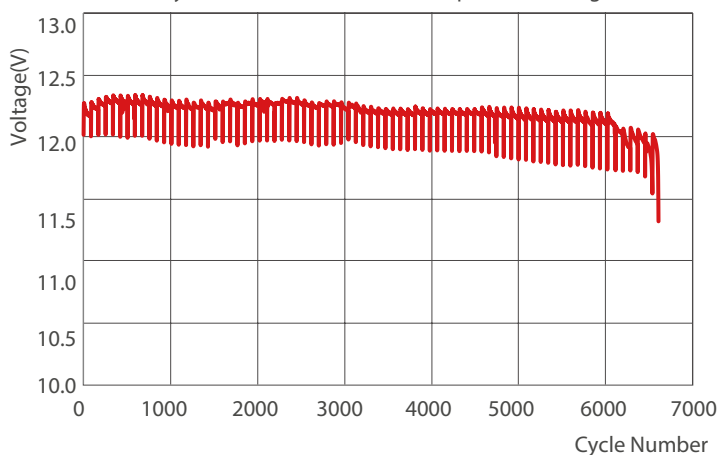
Quick Charge Performance Curve



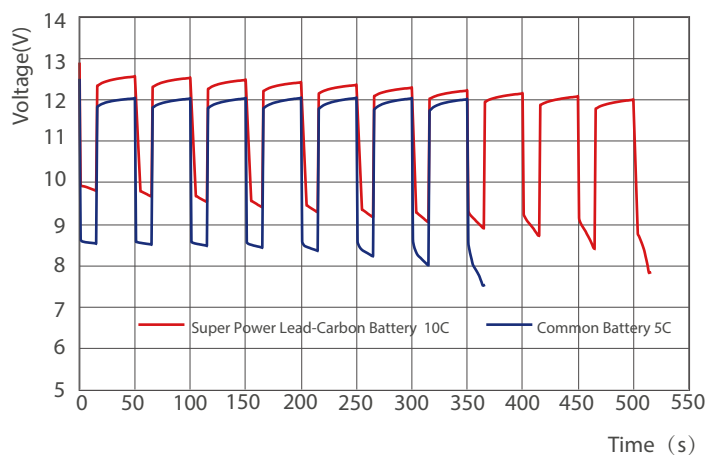
Start Life (25°C)



Cycle Life at 25°C and 17.5% Depth of Discharge



Start Performance at -40°C



Declaration: This information is generally descriptive only and is not intended to make or imply any representation, guarantee or warranty with respect to any cells and batteries. Cell and battery designs/specifications are subject to modification without notice. Contact CHINASHOTO for the latest information.

Welcome to Visit: www.chinashoto.com