

6-GFMHR

High Rate Battery

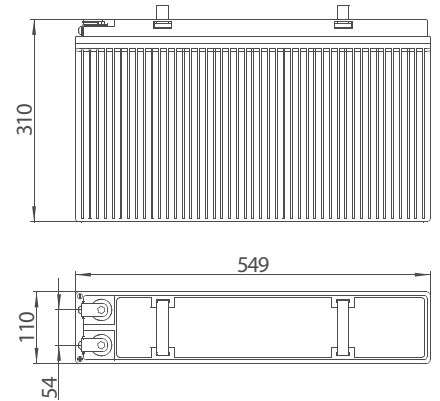
6-GFMHR-610XW



Benefits

- ▶ High rate, can be used in the standby power which less than 15min
- ▶ High consistency, security, reliability and stability
- ▶ Fast charging speed, low self-discharge rate
- ▶ Designed life is 15 years
- ▶ Good anti-high current performance
- ▶ Good anti-over-discharge performance
- ▶ Excellent anti-overcharge performance
- ▶ Good anti-impact performance
- ▶ Excellent anti-vibration performance

Dimensions



Technical Parameters

Nominal Voltage	12 V
Rated Power	610W,15min to 1.67V/cell(25°C)
Weight	52 kg(114.64 lbs)
Dimensions	Length: 549 mm (21.61 in) Width: 110 mm (4.33 in) Height: 310 mm (12.20 in)
Internal Resistance (full charged)	3.30mΩ
Short- circuit Current	2173 A
Self Discharge C ₁₀ @25°C(77°F)	Less than 8% after 90 days storage
Operating Temperature Range	Discharge: -40°C ~ 50°C(-40°F ~ 122°F) Charge: -20°C ~ 45°C(-4°F ~ 113°F) Storage:-20°C ~ 40°C(-4°F ~ 104°F)
Recommended Operating Temperature	15°C ~ 25°C (59°F ~ 77°F)
Recommended Charging Current	22.5 A
Charging Voltage @25°C(77°F)	Float: 2.23 V/cell Equalize: 2.35 V/cell
Terminal	M8
Container Materials	ABS/ABS V0 (Optional)
Capacity Affected by Temperature(C ₁₀)	105% @ 40°C(104°F) 85% @ 0°C(32°F) 60% @ -20°C(-4°F)
Design Life @25°C(77°F)	15 years

Certification

- ISO 9001
- ISO 14001
- GB/T 28001
- UL
- CE

Technical Features

- ▶ Double-sided smear, cast welding and other processes strengthen the process control and improve battery consistency
- ▶ High-strength ABS material and patented sealing technology ensure the normal use of the battery without leakage, expansion and rupture
- ▶ Corrosion-resistant alloy greatly extend the battery life

6-GFMHR

High Rate Battery

6-GFMHR-610XW



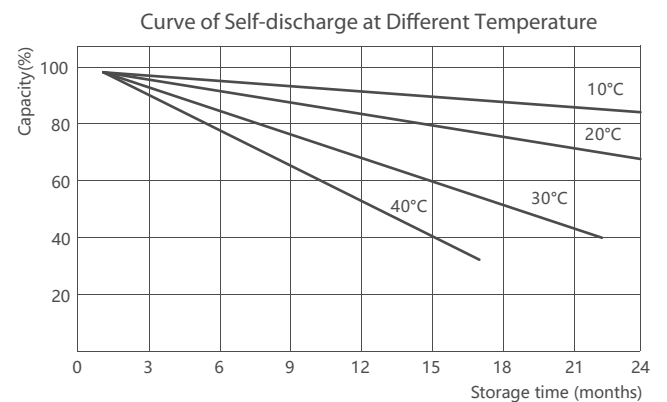
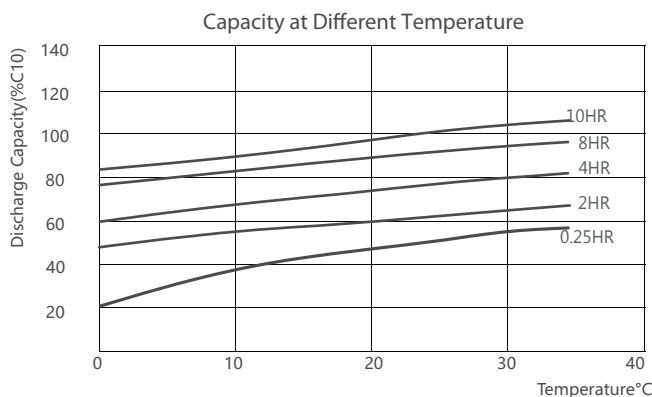
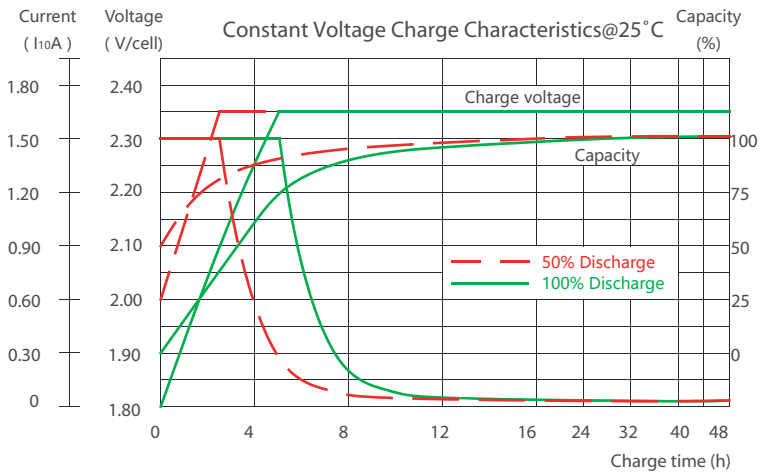
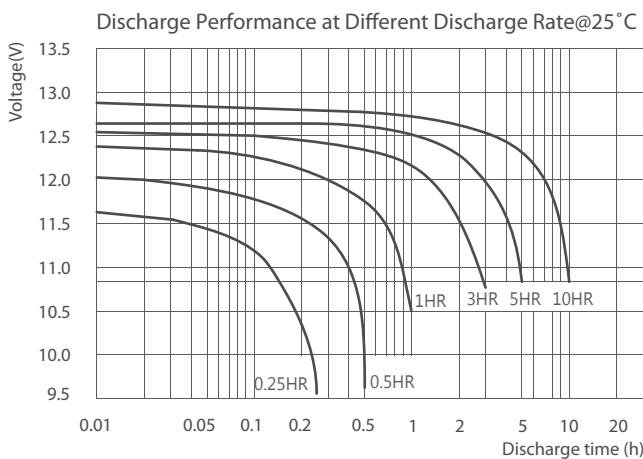
Constant Current Discharge Characteristics Unit: A (25°C, 77°F)

F.V/Time	5min	10min	15min	20min	25min	30min	1hr	1.5hr	2hr	3hr	6hr	10hr
1.60V	496	372	297	244	214	183	86.9	68.5	58.6	39.6	24.4	15.7
1.67V	453	359	281	226	209	178	85.6	67.4	57.8	39.2	24.2	15.5
1.70V	430	344	272	219	199	171	84.9	66.7	56.4	38.4	23.7	15.4
1.75V	392	313	255	212	195	165	82.5	65.8	55.7	37.9	23.7	15.2
1.80V	351	281	236	196	162	149	79.2	63.2	55.1	37.5	23.6	15.0
1.85V	307	249	213	181	151	142	73.6	58.4	54.0	36.8	23.2	14.9

Constant Power Discharge Characteristics Unit: W/cell (25°C, 77°F)

F.V/Time	5min	10min	15min	20min	25min	30min	1hr	1.5hr	2hr	3hr	6hr	10hr
1.60V	827	677	620	504	428	342	168.5	133.6	114.9	78.0	48.1	31.5
1.67V	785	665	610	495	424	328	167.0	132.1	113.9	77.7	47.9	31.4
1.70V	754	634	568	490	422	321	166.4	131.4	111.7	76.5	47.8	31.2
1.75V	670	615	547	485	405	315	162.9	130.3	110.8	75.8	47.6	30.6
1.80V	615	518	475	376	300	291	156.8	125.8	110.2	75.4	47.5	30.5
1.85V	520	456	402	345	275	274	146.5	116.8	108.5	74.4	46.9	30.4

Performance Curve



*Declaration:

This information is generally descriptive only and is not intended to make or imply any representation, guarantee or warranty with respect to any cells and batteries. Cell and battery designs/specifications are subject to modification without notice. Contact CHINASHOTO for the latest information.

Welcome to Visit : www.chinashoto.com