

# 6-GFMHR

## High Rate Battery

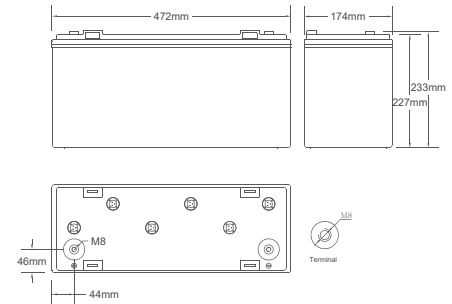
### 6-GFMHR-500W



### Benefits

- High rate, can be used in the standby power which less than 15min
- High consistency, security, reliability and stability
- Fast charging speed, low self-discharge rate
- Designed life is 15 years
- Good anti-high current performance
- Good anti-over-discharge performance
- Excellent anti-overcharge performance
- Good anti-impact performance
- Excellent anti-vibration performance

### Dimensions



### Technical Parameters

Nominal Voltage	12 V
Rated Power	500W, 15min to 1.67V/cell( 25°C)
Weight	42.4 kg(93.48 lbs)
Dimensions	Length: 472 mm (18.58 in) Width: 174 mm (6.85 in) Height: 227 mm (8.94 in) Total height: 233 mm (9.17 in)
Internal Resistance (full charged)	2.80m Ω
Short- circuit Current	3400 A
Self Discharge C <sub>10</sub> @25°C(77°F)	Less than 8% after 90 days storage
Operating Temperature Range	Discharge: -40°C ~ 50°C(-40°F ~ 122°F) Charge: -20°C ~ 45°C(-4°F ~ 113°F) Storage: -20°C ~ 40°C(-4°F ~ 104°F)
Recommended Operating Temperature	15°C ~ 25°C (59°F ~ 77°F)
Recommended Charging Current	19.5 A
Charging Voltage @25°C(77°F)	Float: 2.23 V/cell Equalize: 2.35 V/cell
Terminal	M8
Container Materials	ABS/ABS V0 (Optional)
Capacity Affected by Temperature(C <sub>10</sub> )	105% @ 40°C(104°F) 85% @ 0°C(32°F) 60% @ -20°C(-4°F)
Design Life @25°C(77°F)	15 years

### Certification

- ☑ ISO 9001
- ☑ ISO 14001
- ☑ GB/T 28001
- ☑ UL
- ☑ CE

### Technical Features

- Double-sided smear, cast welding and other processes strengthen the process control and improve battery consistency
- High-strength ABS material and patented sealing technology ensure the normal use of the battery without leakage, expansion and rupture
- Corrosion-resistant alloy and stamping process greatly extend the battery life

# 6-GFMHR

## High Rate Battery

### 6-GFMHR-500W



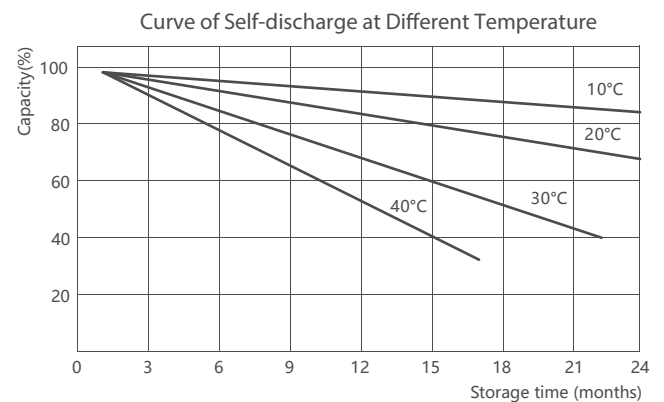
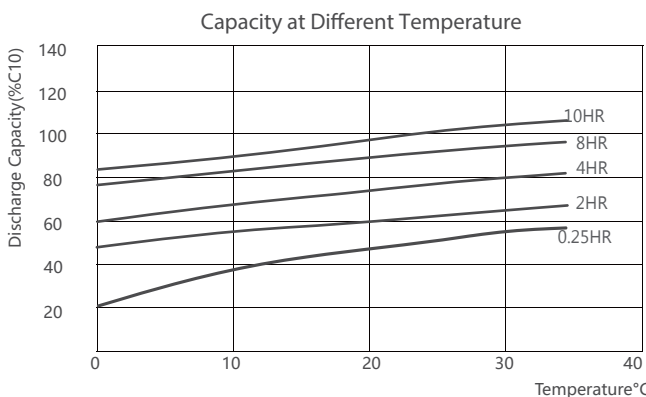
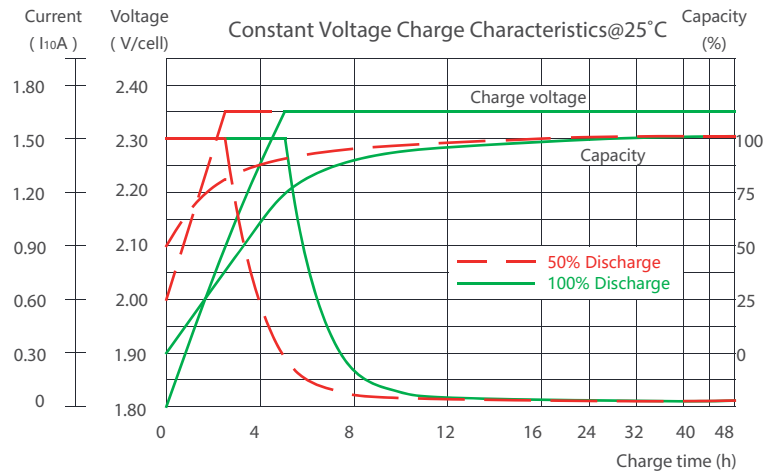
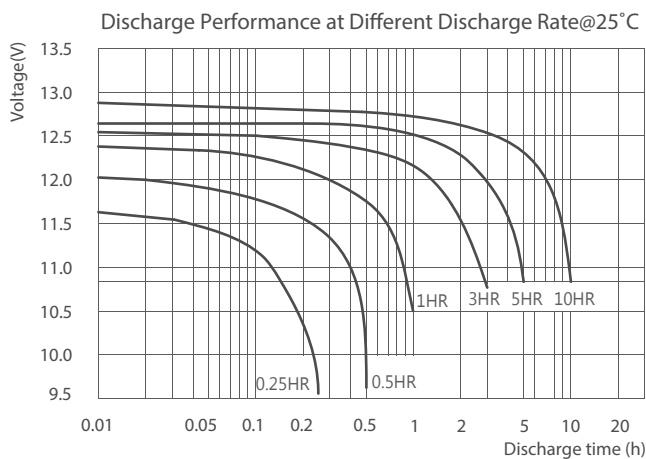
#### Constant Current Discharge Characteristics Unit: A (25°C, 77°F)

F.V/Time	5min	10min	15min	20min	25min	30min	1hr	1.5hr	2hr	3hr	6hr	10hr
1.60V	434	343	260	212	188	159	75.3	59.4	50.8	34.3	21.1	13.5
1.67V	397	315	256	208	186	156	74.2	58.4	50.1	34.0	20.9	13.4
1.70V	376	308	238	204	180	152	73.6	57.8	48.9	33.3	20.7	13.2
1.75V	343	295	234	199	172	146	71.5	57.0	48.3	32.8	20.5	13.1
1.80V	308	234	206	172	140	134	68.6	54.8	47.8	32.5	20.4	13.0
1.85V	269	208	186	156	125	124	63.8	50.6	46.8	31.9	20.0	12.7

#### Constant Power Discharge Characteristics Unit: W/cell (25°C, 77°F)

F.V/Time	5min	10min	15min	20min	25min	30min	1hr	1.5hr	2hr	3hr	6hr	10hr
1.60V	744	645	510	429	368	276	140.4	111.3	95.7	65.0	40.1	26.0
1.67V	692	630	500	421	367	270	139.1	110.1	94.9	64.7	40.0	25.9
1.70V	658	620	492	417	365	267	138.7	109.5	93.1	63.7	39.8	25.8
1.75V	603	590	488	409	363	258	135.7	108.6	92.4	63.2	39.7	25.7
1.80V	543	445	400	303	255	246	130.8	104.8	91.8	62.9	39.6	25.5
1.85V	485	405	355	278	236	223	122.1	97.3	90.5	62.0	39.1	25.3

#### Performance Curve



#### \*Declaration:

This information is generally descriptive only and is not intended to make or imply any representation, guarantee or warranty with respect to any cells and batteries. Cell and battery designs/specifications are subject to modification without notice. Contact CHINASHOTO for the latest information.

Welcome to Visit : [www.chinashoto.com](http://www.chinashoto.com)